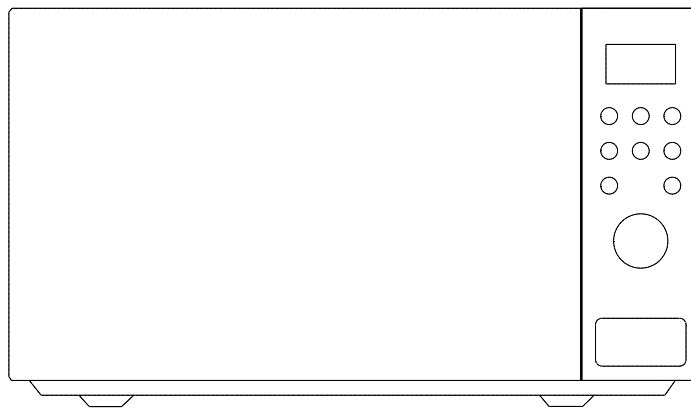




20L MICROWAVE OVEN



MODEL: 044431

1 Year Nationwide Warranty

Owner's Manual

Please read these instructions carefully before installing and operating the oven.

© Camec Pty Ltd 2017 V1.0

Made in China

PRECAUTIONS TO AVOID POSSIBLE EXPOSURE TO EXCESSIVE MICROWAVE ENERGY

1. Do not attempt to operate this oven with the door open since open door operation can result in harmful exposure to microwave energy. It is important not to defeat or tamper with the safety interlocks.
2. Do not place any object between the oven front face and the door or allow soil or cleaner residue to accumulate on sealing surfaces.
3. Do not operate the oven if it is damaged. It is particularly important that the oven door closes properly and that there is no damage to the
 - a. Door (bent),
 - b. Hinges and latches (broken or loosened),
 - c. Door seals and sealing surfaces.
4. The oven should not be adjusted or repaired by anyone except properly qualified service personnel. Please contact Camec for Warranty or Repair service.

CONTENTS

PRECAUTIONS TO AVOID POSSIBLE EXPOSURE TO EXCESSIVE MICROWAVE ENERGY	1
IMPORTANT SAFETY INSTRUCTIONS	2
SPECIFICATIONS	4
RV & HOME INSTALLATION	4
RADIO INTERFERENCE	4
MICROWAVE COOKING PRINCIPLES.....	5
GROUNDING INSTRUCTIONS.....	5
BEFORE YOU CALL FOR SERVICE	5
UTENSILS GUIDE	6
PART NAMES	6
CONTROL PANEL	7
HOW TO SET THE OVEN CONTROLS	8
Setting Digital Clock.....	8
Microwave Cooking.....	8
Quick Start.....	8
Auto Defrost	8
Speed Defrost	9
Multi Stage Cooking	9
Child Lock.....	9
Preset (Delayed Start).....	9
Auto Cook.....	10
CLEANING AND CARE	11

IMPORTANT SAFETY INSTRUCTIONS

When using electrical appliances, basic safety precautions should be followed, including the following:

WARNING: To reduce the risk of burns, electric shock, fire, injury to persons or exposure to excessive microwave energy:

1. Read all instructions before using the appliance.
2. Use this appliance only for its intended use as described in this manual. Do not use corrosive chemicals or vapors in this appliance. This type of oven is specifically designed to heat, cook or dry food. It is not designed for industrial or laboratory use.
3. Do not operate the oven when empty.
4. Do not operate this appliance if it has a damaged cord or plug, if it is not working properly or if it has been damaged or dropped. If the supply cord is damaged, it must be replaced by the manufacturer or its service agent or a similarly qualified person in order to avoid a hazard
5. **WARNING:** Only allow children to use the oven without supervision when adequate instructions have been given so that the child is able to use the oven in a safe way and understands the hazards of improper use.
6. To reduce the risk of fire in the oven cavity:
 - ✧ When heating food in plastic or paper container, check the oven frequently to the possibility of ignition.
 - ✧ Remove wire twist-ties from paper or plastic bags before placing bag in oven.
 - ✧ If smoke is observed, switch off or unplug the appliance and keep the door closed in order to stifle any flames.
 - ✧ Do not use the cavity for storage purposes. Do not leave paper products, cooking utensils or food in the cavity when not in use.
7. **WARNING:** Liquid or other food must not be heated in sealed containers since they are liable to explode.
8. Microwave heating of beverages can result in delayed eruptive boiling, therefore care has to be taken when handling the container.
9. Do not fry food in the oven. Hot oil can damage oven parts and utensils and even result in skin burns.
10. Eggs in their shell and whole hard-boiled eggs should not be heated in microwave ovens since they may explode even after microwave heating has ended.
11. Pierce foods with heavy skins such as potatoes, whole squashes, apples and chestnuts before cooking.
12. The contents of feeding bottles and baby jars should be stirred or shaken and the temperature should be checked before serving in order to avoid burns.
13. Cooking utensils may become hot because of heat transferred from the heated food. Potholders may be needed to handle the utensil.
14. Utensils should be checked to ensure that they are suitable for use in a microwave oven.
15. **WARNING:** It is hazardous for anyone other than a trained person to carry out any service or repair operation which involves the removal of any cover which gives protection against exposure to microwave energy.
16. This product is Group 2 Class B ISM equipment. The definition of Group 2 which contains all ISM (Industrial, Scientific and Medical) equipment in which radio-frequency energy is intentionally generated and/or used in the form of electromagnetic radiation for the treatment of material, and spark erosion equipment. For Class B equipment, it is equipment suitable for use in domestic environments and in environments directly connected to a low voltage power supply network which supplies buildings or RV's used for domestic purposes.

17. This appliance is not intended for use by persons (including children) with reduced physical, sensory or mental capabilities, or lack of experience and knowledge, unless they have been given supervision or instruction concerning use of the appliance by a person responsible for their safety.
18. Children should be supervised to ensure that they do not play with the appliance.
19. The microwave oven is only to be used freestanding.
20. **WARNING:** Do not install oven over a range hood, cook top or other heat-producing appliance. If installed in this way, it could be damaged and the warranty will be void.
21. The accessible surface may be hot during operation.
22. The microwave oven shall not be placed in a sealed cabinet.
23. The door or the outer surface may get hot when the appliance is operating.
24. The temperature of accessible surfaces may be high when the appliance is operating.
25. **WARNING:** If the door or door seals are damaged, the oven must not be operated until it has been repaired by an authorized repairer.
26. These instructions state that this appliance is not intended to be operated by means of an external timer or separate remote-control system.
27. The microwave oven is for RV & household use only and not for commercial use.
28. Never remove the distance holder in the back or on the sides, as it ensures a minimum distance from the wall for air circulation.
29. Please secure the turntable before you move the appliance to avoid damage.
30. **Caution:** It is dangerous to repair or maintain the appliance as to do so the cover, which provides protection against microwave radiation, must be removed. This applies to changing the power cord or service to other components. Please send the appliance in these cases to an authorized repairer.
31. This microwave oven is intended for defrosting, cooking and steaming of food only.
32. **Caution!** Steam will escape, when opening lids or unwrapping foil.

SPECIFICATIONS

Power Consumption:	230-240V/50Hz, 1200W(Microwave)
Output:	700W
Operation Frequency:	2450MHz
Outside Dimensions:	262mm(H)×452mm(W)×333mm(D)
Oven Cavity Dimensions:	198mm(H)×315mm(W)×297mm(D)
Oven Capacity:	20Litres
Cooking Uniformity:	Turntable System
Net Weight:	Approx. 10.5 kg
Approval Number:	SGS/170526

RV & HOME INSTALLATION

1. Make sure that all the packing materials are removed from the inside the door.
2. **WARNING:** Check the oven for any damage, such as misaligned or bent door, damaged door seals and sealing surface, broken or loose door hinges and latches and dents inside the cavity or on the door. If there is any damage, do not operate the oven and return to the place of purchase or OEM supplier.
3. This microwave oven must be placed on a flat, stable surface to hold its weight and the heaviest food likely to be cooked in the oven.
4. Do not place the oven where heat, moisture, or high humidity are generated, or near combustible materials.
5. For correct operation, the oven must have sufficient airflow. Allow 10cm of space above the oven, 10cm at back and 5cm at both sides. Do not cover or block any openings on the appliance. Do not remove feet.
6. Do not operate the oven without glass turntable and turntable support in their correct positions.
7. Make sure that the power supply cord is undamaged and does not run under the oven or over any hot or sharp surface.
8. The socket must be readily accessible so that it can be easily unplugged in an emergency.
9. Do not use this microwave outdoors.

RADIO INTERFERENCE

Operation of the microwave oven can cause interference to your radio, TV, or similar equipment.

When there is interference, it may be reduced or eliminated by taking the following measures:

1. Clean door and sealing surface of the oven.
2. Reorient the receiving antenna of radio or television.
3. Plug the microwave oven into a different outlet so that microwave oven and receiver are on different branch circuits.

MICROWAVE COOKING PRINCIPLES

1. Arrange food carefully. Place thickest areas towards the outside of the cooking dish.
2. Watch the cooking time. Cook for the shortest amount of time indicated and add more as needed. Food severely overcooked can smoke or ignite.
3. Cover foods while cooking. Covers prevent spattering and help foods to cook evenly.
4. Turn foods over once during microwave cooking to speed cooking of such foods as chicken and hamburgers. Large items like roasts must be turned over at least once.
5. Rearrange foods such as meatballs halfway through cooking both from top to bottom and from the center of the dish to the outside.

GROUNDING INSTRUCTIONS

This appliance must be grounded. This oven is equipped with a cord with a grounding wire and a grounding plug. It must be plugged into a wall receptacle that is properly installed and grounded. In the event of an electrical short circuit, grounding reduces risk of electric shock by providing an escape wire for the electric current. It is recommended that a separate circuit serving only the oven be provided. Using a high voltage is dangerous and may result in a fire or other accident causing oven damage.

WARNING Improper use of the grounding plug can result in a risk of electric shock.

Note:

1. If you have any questions about the grounding or electrical instructions, consult a qualified electrician or service person.
2. Neither the manufacturer nor the dealer can accept any liability for damage to the oven or personal injury resulting from failure to observe electrical connection procedures.

The wires in this cable main are colored in accordance with the following code:

Green and Yellow = EARTH

Blue = NEUTRAL

Brown = LIVE

BEFORE YOU CALL FOR SERVICE

If the oven fails to operate:

1. Check to ensure that the oven is plugged in securely. If it is not, remove the plug from the outlet, wait 10 seconds, and plug it in again securely.
2. Check for a blown circuit fuse or a tripped main circuit breaker. If these seem to be operating properly, test the outlet with another appliance.
3. Check to ensure that the control panel is programmed correctly and the timer is set.
4. Check to ensure that the door is securely closed engaging the door safety lock system. Otherwise, the microwave energy will not flow into the oven.

IF NONE OF THE ABOVE RECTIFIES THE SITUATION, THEN PLEASE CONTACT CAMEC.
DO NOT TRY TO ADJUST OR REPAIR THE OVEN YOURSELF.

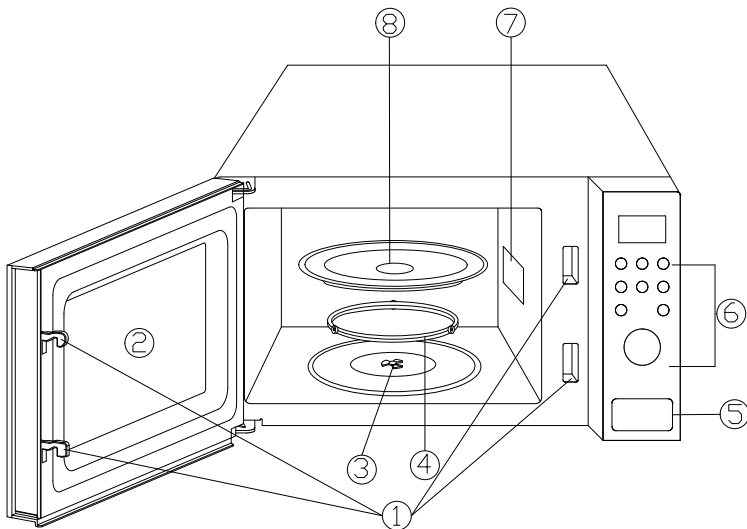
UTENSILS GUIDE

1. The ideal material for a microwave utensil is transparent to microwave, as it allows energy to pass through the container and heat the food.
2. Microwaves cannot penetrate metal, so metal utensils or dishes with metallic trim should not be used.
3. Do not use recycled paper products when microwave cooking, as they may contain small metal fragments which may cause sparks and/or fires.
4. Round /oval dishes rather than square/oblong ones are recommended, as food in corners tends to overcook.
5. Narrow strips of aluminum foil may be used to prevent overcooking of exposed areas. But be careful not to use too much and keep a distance of 1 inch (2.54cm) between the foil and the cavity.

The list below is a general guide to help you select the correct utensils.

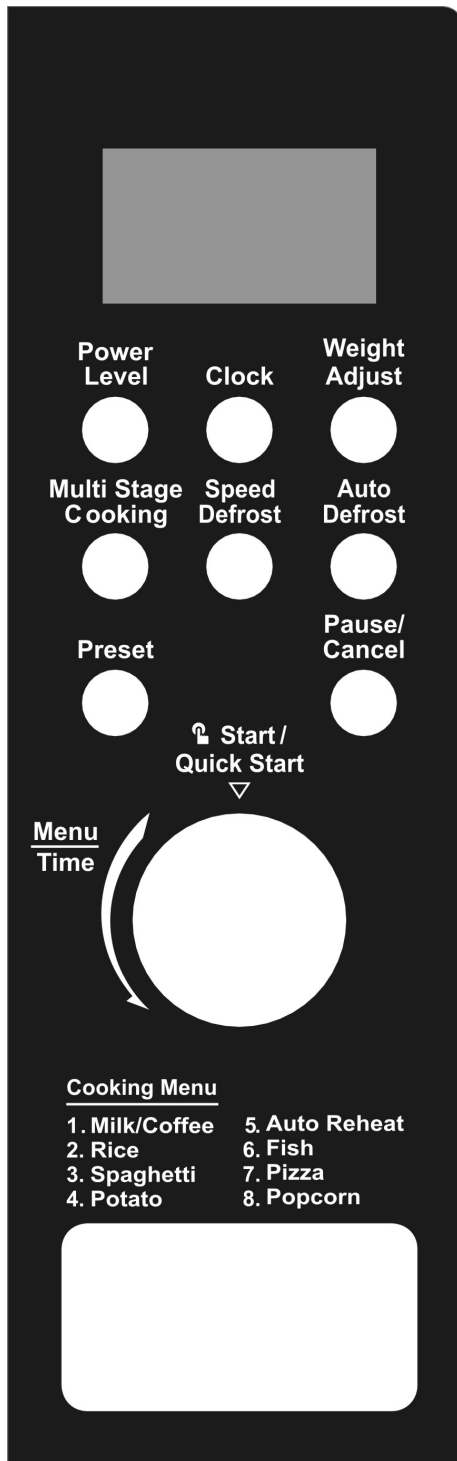
COOKWARE	MICROWAVE
Heat-Resistant Glass	Yes
Non Heat-Resistant Glass	No
Heat-Resistant Ceramics	Yes
Microwave-Safe Plastic Dish	Yes
Kitchen Paper	Yes
Metal Tray	No
Metal Rack	No
Aluminum Foil & Foil Containers	No

PART NAMES




1. Door Safety Lock System
2. Oven Window
3. Shaft
4. Roller Ring
5. Door Release Button
6. Control Panel
7. Wave Guide
8. Glass Tray

CONTROL PANEL



- **LED SCREEN**
 - ✦ Cooking time, power, action indicators, and clock time are displayed.
- **POWER LEVEL**
 - ✦ Press this button a number of times to set microwave cooking power level.
- **CLOCK**
 - ✦ Press this button to start setting the oven clock and end by pressing it again.
- **WEIGHT ADJUST**
 - ✦ Press this button to specify food weight or number of servings.
- **MULTI STAGE COOKING**
 - ✦ Use to set multistage cooking program.
- **SPEED DEFROST**
 - ✦ Press to defrost food based on the time you entered.
- **AUTO DEFROST**
 - ✦ Press to defrost food based on the weight you enter.
- **PRESET**
 - ✦ Press to set the preset function which allows you to put food into the oven and program it to start cooking at a later time.
- **PAUSE/CANCEL**
 - ✦ Press to cancel setting or reset the oven before setting a cooking program.
 - ✦ Press once to pause cooking, or twice to cancel cooking all together.
 - ✦ Also used for setting the child lock.
- **MENU/TIME (DIAL)**
 - ✦ Turn the dial to input cooking time.
 - ✦ Rotate to select the cooking menu.
- **START/QUICK START (DIAL)**
 - ✦ Press to start a cooking program.
 - ✦ Press repeatedly to set the quick start function.

HOW TO SET THE OVEN CONTROLS

- ✧ When the oven is first plugged in, the display will show  and “1:00”.
- ✧ During cooking, if you press the PAUSE/CANCEL button once or open the door, the program will be paused. You can then press the START/QUICK START button to resume, but if you press the PAUSE/CANCEL button twice, the program will be canceled.
- ✧ After cooking has ended, the screen will display “End” with a notification beep every two minutes until the user presses any key or opens the door.

SETTING THE DIGITAL CLOCK

The clock has a 24-hour format.

To set the time to 8.30am for example:

1. In standby mode, press CLOCK once.
2. Turn the MENU/TIME knob to select the hour digit 8.
3. Press CLOCK once to confirm.
4. Turn MENU/TIME knob to select the minute digits until the screen displays 8:30.
5. Press CLOCK again to confirm the setting.

Note: You can press the CLOCK button once to check clock time during cooking.

MICROWAVE COOKING

For microwave cooking, press the POWER LEVEL button a number of times enter cooking power level as desired, and then turn MENU/TIME dial to set cooking time. The longest cooking time is 95 minutes. The oven will start after START/QUICK START button is pressed.

POWER LEVELS available:

Press POWER LEVEL	Cooking power (Display)
once	100%(100)
twice	80%(80)
3 times	60%(60)
4 times	40%(40)
5 times	20%(20)
6 times	0%(00)

For example, suppose you want to cook for 5 minutes at 60% of microwave power.

1. Press the POWER LEVEL button repeatedly to select cooking power 60%.

2. Turn the MENU/TIME knob to 5:00.
3. Press START/QUICK START button to start.

Note: You can check the cooking power during cooking by pressing POWER LEVEL button. If you want to cook at full power level, omit step 1.

QUICK START

This feature allows you to start the microwave quickly at 100% power. The longest cooking time is 10 minutes.

In standby mode, press the START/QUICK START knob in quick succession to set the cooking time, the oven will start working at full power level automatically. You can extend the cooking time when the cooking is in progress by pressing START/QUICK START.

AUTO DEFROST

The oven allows the defrosting of foods based on the weight you enter. The time and the defrosting power are adjusted automatically once the weight is programmed. The weights of frozen foods can range from 100g to 1800g.

For example, to defrost 600g of mice:

1. Place the mice to be defrosted in to the oven and close the door.
2. Press the AUTO DEFROST button once.
3. Press the WEIGHT ADJUST button repeatedly to select the weight of the meat.
4. Press START/QUICK START button.

Note: The oven will pause and signal during the process to remind you to turn the food over, then press START/QUICK START to resume.

Speed Defrost

The oven can quickly defrost food based on the time you enter. The longest defrosting time is 95 minutes.

If you want to defrost meat for 20 minutes.

1. Place the meat to be defrosted in to the oven and close the door.
2. Press the SPEED DEFROST button once.
3. Turn MENU/TIME dial to set cooking time: 20:00.
4. Press the START/QUICK START button.

Note: The oven will pause and signal during the process to remind you to turn the food over for better result, then press the START/QUICK START button to resume.

MULTI STAGE COOKING

Your oven can be programmed for up to 2 automatic cooking sequences.

To set the following cooking program:

Microwave cooking (item A)



Microwave cooking (item B)

1. Input the first stage of microwave cooking program. Do not touch START/QUICK START button.
2. Press the MULTI STAGE COOKING button.
3. Input the second stage of microwave cooking program.
4. Press the START/QUICK START button.

Note: Auto Defrost, Speed Defrost, and Auto Cook can not be set in multi-stage cooking

program. The respective indicator on the display (1S, 2S) will illuminate to indicate which stage the oven is operating in.

CHILD LOCK

Use to prevent unsupervised operation of the oven by small children. The Child Lock indicator will show up on display screen, and the oven can not be operated while the Child Lock is set.

To set the Child Lock: In standby mode, press and hold PAUSE/CANCEL for 3 seconds, a beep sounds and the LOCK indicator will light.

To cancel the Child Lock: Press and hold the PAUSE/CANCEL button for 3 seconds until lock indicator on the display turns off.

PRESET (DELAYED START COOKING)

The preset feature allows you to program the oven to start cooking at a later time.

For example, if the current time is 11:10 and you want the oven to start cooking at 11:30.

1. Select a cooking program.
2. Press PRESET once.
3. Rotate MENU/TIME to enter hour digit 11.
4. Press PRESET once.
5. Rotate the MENU/TIME knob to enter minute digit 30.
6. Press START/QUICK START to confirm.

Note: In preset mode, the preset time can be seen for 4 seconds by pressing PRESET button. If you press the PAUSE/CANCEL button when the display shows the time, the function will be cancelled.

AUTO COOK

For foods listed in the table below, it is not necessary to program the duration and the cooking power. It is sufficient to indicate the type of food that you wish to cook as well as the weight of this food.

1. In standby mode, turn MENU/TIME knob anti-clockwise once and then turn it again to select food code (see the table below).
2. Press the WEIGHT ADJUST button to indicate food weight or number of servings.
3. Press the START/QUICK START button to start cooking.

Cooking Menu

Code	Food/cooking mode	
01	Milk/Coffee (200ml/cup)	<ol style="list-style-type: none">1. For milk/coffee and potato, units on the display are not weight but the number of servings.2. For popcorn, there is only one weight choice.3. For Spaghetti add boiled water before cooking.4. Auto cooking results depends on factors such as the shape and size of food, your personal preference as to how you prefer certain foods to be cooked and even where the food is placed in the oven. As results may vary, please make allowances for certain foods by either taking the food out early or cooking a bit longer at the end.
02	Rice (g)	
03	Spaghetti (g)	
04	Potato (230g/unit)	
05	Auto Reheat (g)	
06	Fish (g)	
07	Pizza (g)	
08	Popcorn (99g)	

CLEANING AND CARE

1. Turn off the oven and remove the power plug from the wall socket before cleaning.
2. Keep the inside of the oven clean. When food splatters or spilled liquids adhere to oven walls, wipe with a damp cloth. Mild detergent may be used if the oven gets very dirty. Avoid the use of spray and other harsh cleaners as they may stain, streak or dull the door surface.
3. The outside surfaces should be cleaned with a damp cloth. To prevent damage to the operating parts inside the oven, water should not be allowed to seep into the ventilation openings.
4. Wipe the both sides of the door and window, the door seals and adjacent parts frequently with a damp cloth to remove any spills or spatters. Do not use an abrasive cleaner.
5. Do not allow the control panel to become wet. Clean with a soft, damp cloth. When cleaning the control panel, leave the oven door open to prevent the oven from accidentally turning on.
6. If steam accumulates inside or around the outside of the oven door, wipe with a soft cloth. This may occur when the microwave oven is operated under high humidity conditions but is normal.
7. It is occasionally necessary to remove the glass tray for cleaning. Wash the tray in warm sudsy water or in a dishwasher.
8. The roller ring and oven floor should be cleaned regularly to avoid excessive noise. Simply wipe the bottom surface of the oven with mild detergent. The roller ring may be washed in mild sudsy water or dishwasher. When removing the roller ring from the cavity floor for cleaning, be sure to reinstall it in the proper position.
9. Remove odors from your oven by combining a cup of water with the juice and skin of one lemon in a deep microwaveable bowl, then microwave for 5 minutes. Wipe thoroughly and dry with a soft cloth.
10. If it becomes necessary to replace the oven light, please consult a Camec dealer to have it replaced.
11. The oven should be cleaned regularly and any food deposits removed. Failure to maintain the oven in a clean condition could lead to deterioration of the surface that could adversely affect the life of the appliance.
12. Please do not dispose of this appliance in to a domestic rubbish bin; it should be disposed of at a dedicated disposal center provided by the municipalities.

Camec Pty Ltd
47-63 Remington Drive
Dandenong South VIC 3175
www.camec.com
camec.co.nz

Visit www.camec.com/warranty-policy/ for full warranty terms and conditions.