

**AL-KO**

QUALITY FOR LIFE

# POWER MOVER OPERATING INSTRUCTIONS



# POWER MOVER OPERATING INSTRUCTIONS

The AL-KO Power Mover is the easy and convenient way to move any caravan or trailer without back breaking effort. The ratchet drive mechanism of the AL-KO Power Mover is strong enough to move the caravan or trailer even up small inclines.

**WARNING:** This product is designed for use with single axle caravans only. The jockey wheel should be lowered before movement is attempted. For correct and safe use please follow the operating instructions below:

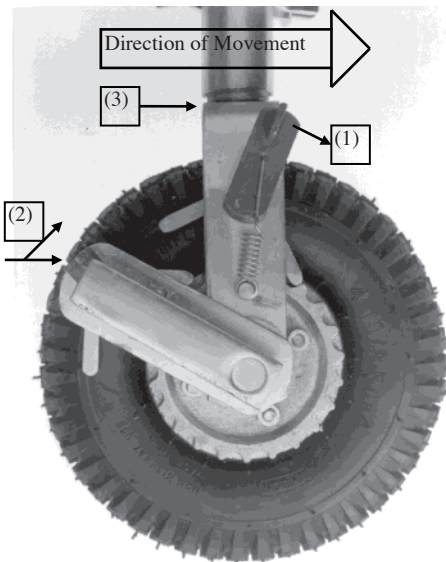
## OPERATING INSTRUCTIONS

7 Easy steps to moving your Caravan or Trailer



1. Engage caravan/trailer park brake or chock wheels on the downhill side.
2. Secure the AL-KO Power Mover to your caravan/trailer drawbar.
3. Lower the Power Mover to the painted line on the telescopic tube.
4. Select Directional Settings on the two pawls (see instructions below).
5. Fit or engage the Power Mover traction handle.
6. Carefully release the caravan/trailer park brake.
7. Raise and lower the traction handle for controlled easy movement.

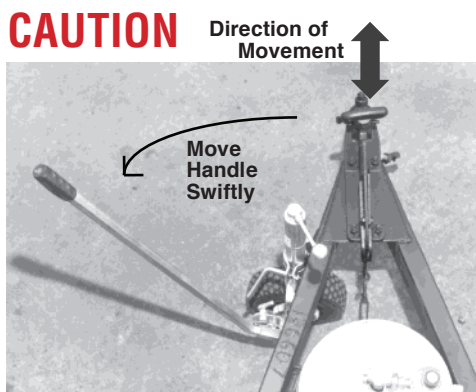
## CHOOSING THE DIRECTION SETTINGS



The AL-KO Power Mover is equipped with two directional pawls.

With the Power Mover securely fixed to the trailer or caravan drawbar move both of the spring loaded pawls (1) and (2) in the direction you wish the trailer to move. This should be done before any effort is applied to the traction handle.

Ensure the Power Mover is lowered to the painted ring (3) around the fork of the unit as under heavy loads and extended height, damage may occur to the telescopic tube of the Power Mover.



The AL -KO Power Mover is designed to aid movement of the caravan or trailer in either forward or backward direction. It can be used to move up a slight gradient and the double pawl system will resist roll back, but the Power Mover must not be relied upon as a park brake. Particular care should be taken if the incline changes to a decline as the Power Mover will free wheel after the peak of the incline has been reached. Use the caravan or trailer park brake to control any tendency to "free wheel". Should an emergency arise and you need to stop the trailer or caravan suddenly, turn the handle of the AL -KO Power Mover swiftly at right angles to the direction of movement as shown in the diagram.

Operating photos depict an earlier version with pneumatic tyre, this has been superseded by a more robust solid tyre version

### For more information contact:

**VIC:** 67 Nathan Road, Dandenong South, 3175

**NSW:** 26 Hallstrom Place, Wetherill Park, 2164

**QLD:** 13 Union Circuit, Yatala, 4207

Phone: (61) 3 9767 3700

Phone: (61) 2 8784 9400

Phone: (61) 7 3386 6300

Fax: (61) 3 9767 3799

Fax: (61) 2 9725 4557

Fax: (61) 7 3386 6399