



## FRESH WATER PUMP

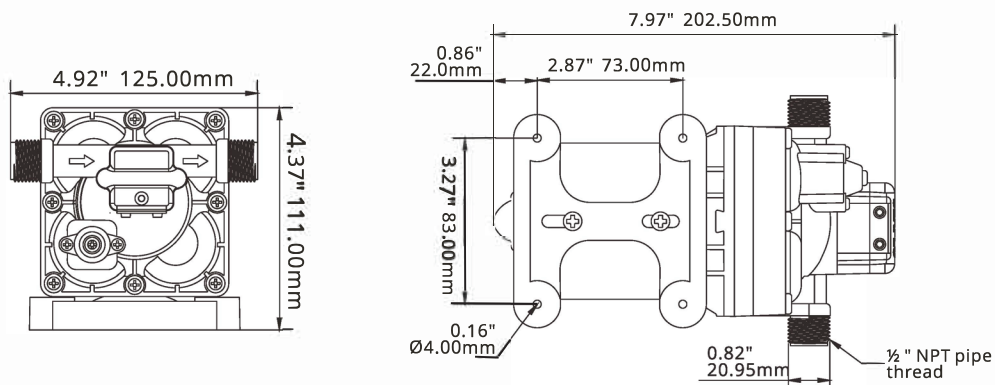
### FEATURES & BENEFITS

- Up to 3.0 GPM
- Self priming
- Factory fitted check valve
- Run dry safe
- Quiet operation
- On-demand use
- Industry Standard mounting pattern
- Rubber mounting base
- Internal bypass technology reduces cycling
- 16 AWG, 9.4" long leads
- Encapsulated switch

### PUMP

- Max Recommended Temperature  
140°F (60°C) Max.
- Priming Capabilities  
6 feet (1.8 m) suction lift
- Inlet/Outlet Ports  
1/2"-14 MNPT
- Weight  
4.1 lbs (1.90 kg)

### Standard Accessories



### STANDARD PUMP CONFIGURATIONS

| Model          | Voltage | Control Type     | GPM/LPM  | PSI/BAR | Max Draw(A) | Valves | Diaphragm  | Ports        | Wire Connections |
|----------------|---------|------------------|----------|---------|-------------|--------|------------|--------------|------------------|
| RV1-030-055-42 | 12V DC  | Switch & By pass | 3.0/11.3 | 55/3.8  | 6.0         | EPDM   | Santoprene | 1/2"-14 MNPT | 2-Pin/Leads      |
| RV2-030-055-42 | 24V DC  | Switch & By pass | 3.0/11.3 | 55/3.8  | 4.0         | EPDM   | Santoprene | 1/2"-14 MNPT | 2-Pin/Leads      |